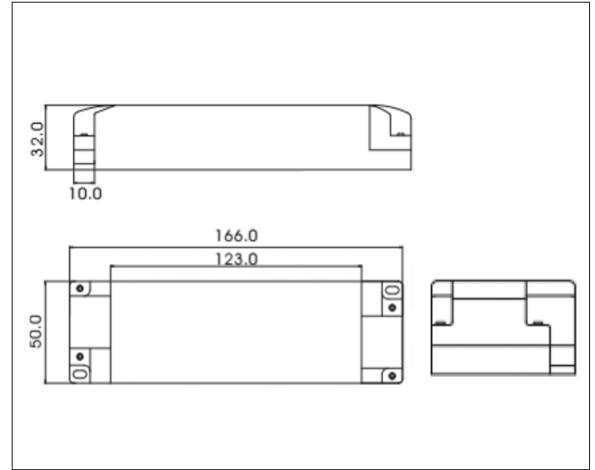




For illustrative purposes only!



MINUS Dimmable Power Supply (3-5 Fixtures) Remote Power Supply

Minus UNV Dimmable Power Supply - The Minus Power supply can power 3-5 European type Minus or Artus fixtures (12.5W) and is dimmable via phase dimming and features short circuit protection, overheat and overload protection.

Construction

- Protection Mechanism: short circuit, over load, over temperature
- No, Hot plug-in or secondary switching of LEDs
- Weight: 0.41lbs (190g)

Installation

- 5" (12.7cm) minimum installation space between power supplies
- Installation requires 16AWG wire
- **Do not power on with less than 3 fixtures!**

Product Dimensions

- Length: 6.53" (166mm) • Width: 1.96" (50mm) • Height: 1.25" (32mm)
- Screw Hole Dimension: 155x39mm

Electrical

- Input Voltage: 220-240 VAC - 50/60 Hz
- Input Current: 450mA
- Input Power: 73W
- Inrush Current: 5A/100µs
- Output Current: 1000mA +/-5%
- Output Voltage: 30-65 VDC
- Rated Power: 30-65W
- Dimming Protocol: Leading-trailing edge
- Ambient Temperature: -20°C - +45°C
- Case Temperature Max: 85°C
- Efficiency: typ. 87% @230VAC / 65W
- Power Factor: (λ): typ. 0.9 @230VAC / 65W

Listings / Certifications

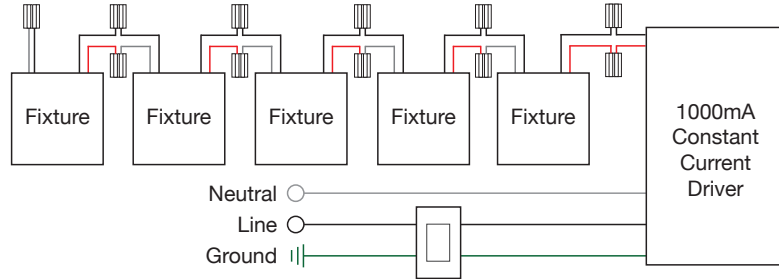
- SELV
- Protection Class: IP20
- Class II Output
- CE Rated

ORDERING INFORMATION

SERIES	MODEL	TYPE	REGION
<input type="checkbox"/> AA3 - Remote Supply	<input type="checkbox"/> 2205 - 1-2 Fixtures	<input type="checkbox"/> D - DC Output	<input type="checkbox"/> EU - Euro/Int'l

ORDERING EXAMPLE AA3-2205-D-EU

Wiring Diagram for Constant Current 4-Wire Fixtures - [EU]



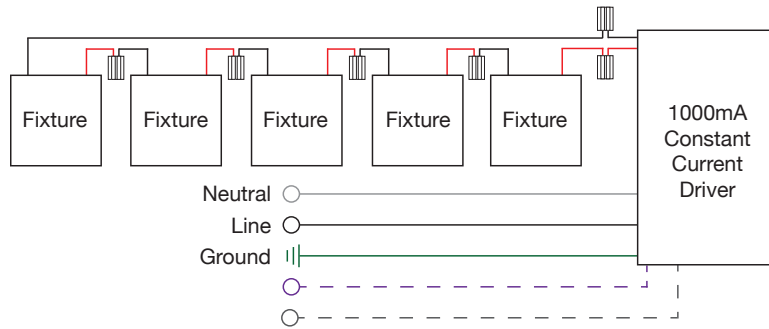
Fixture Leads In
Red with Red (+)
Black with Black (-)

Fixture Leads Out
Black with Black
White with Red

Warning: failure to wire correctly may cause fixture to fail.

Note: The white and black cables of the last fixture in the series must be bridged together! Do not power on with less than 3 fixtures!

Wiring Diagram for Constant Current 2-Wire Fixtures - [EU]



Fixture Leads
Red (+)
Black (-)

Note: Do not power on with less than 3 fixtures!

Additional Considerations

The above wiring diagram applies only to Constant Current Minus and Artus products with product ordering codes ending with "CC" or "EU". The diagram above shows the typical wiring schematic, however the total number of fixtures per driver is driver specific.

- Apure Phase Dimmable (1000mA 30-65W) 3-5 Minus/Artus 16AWG - 82ft (25m)

WARNING: The power supply must operate within the range of minimum to maximum fixtures. Operation with less or more fixtures from the specified amount will result in damage to the power supply and/or lighting fixture. Incorrectly wiring the Constant Current lighting fixture may cause luminaire to fail.